

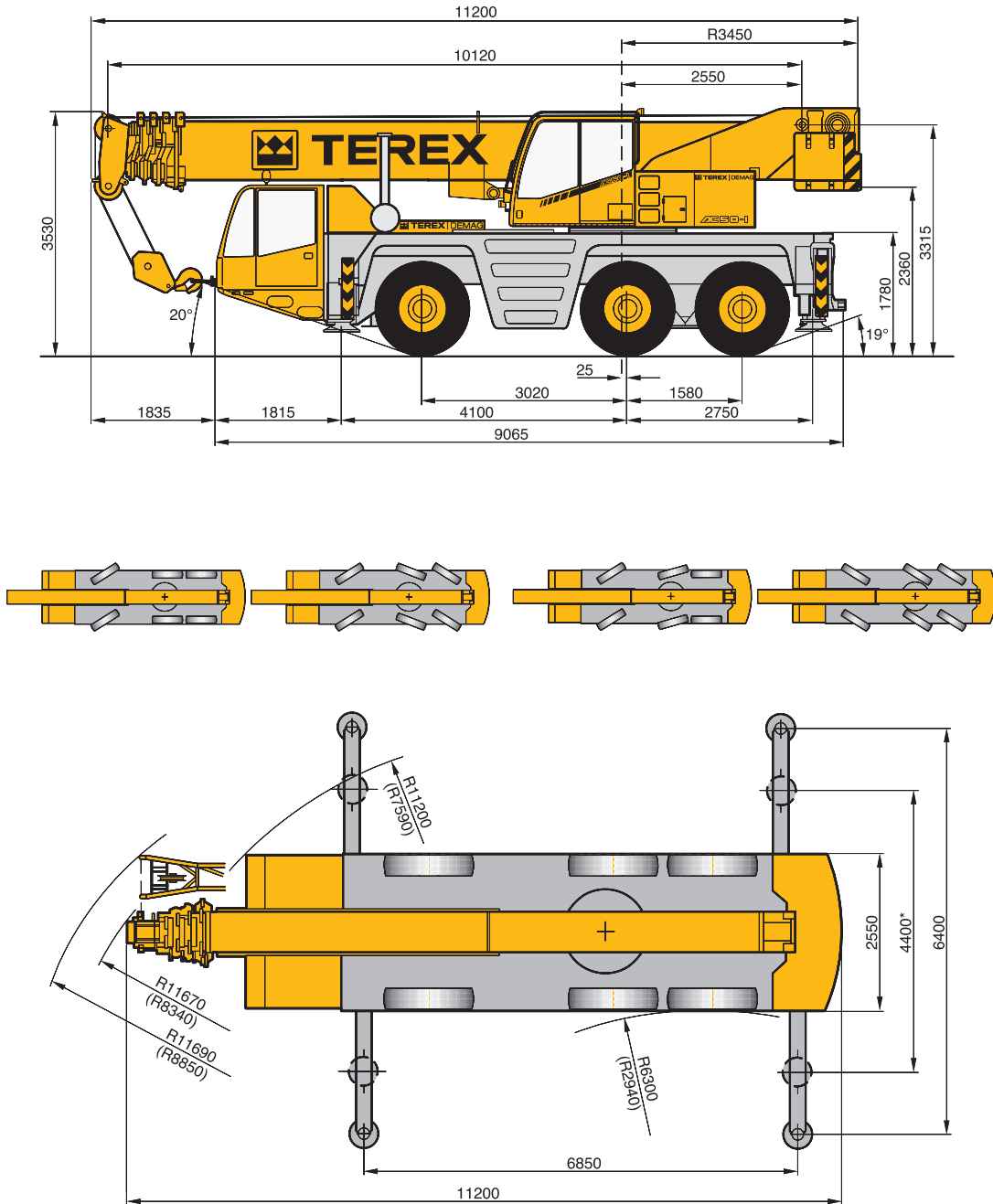
Terex AC50-1

All terrain crane

TONNE

50

Dimensions



Terex AC50-1

TONNE

50

Terex AC50-1

Lifting capacities

Lifting capacities main boom

6.85 x 6.40m DIN / ISO



9.5t

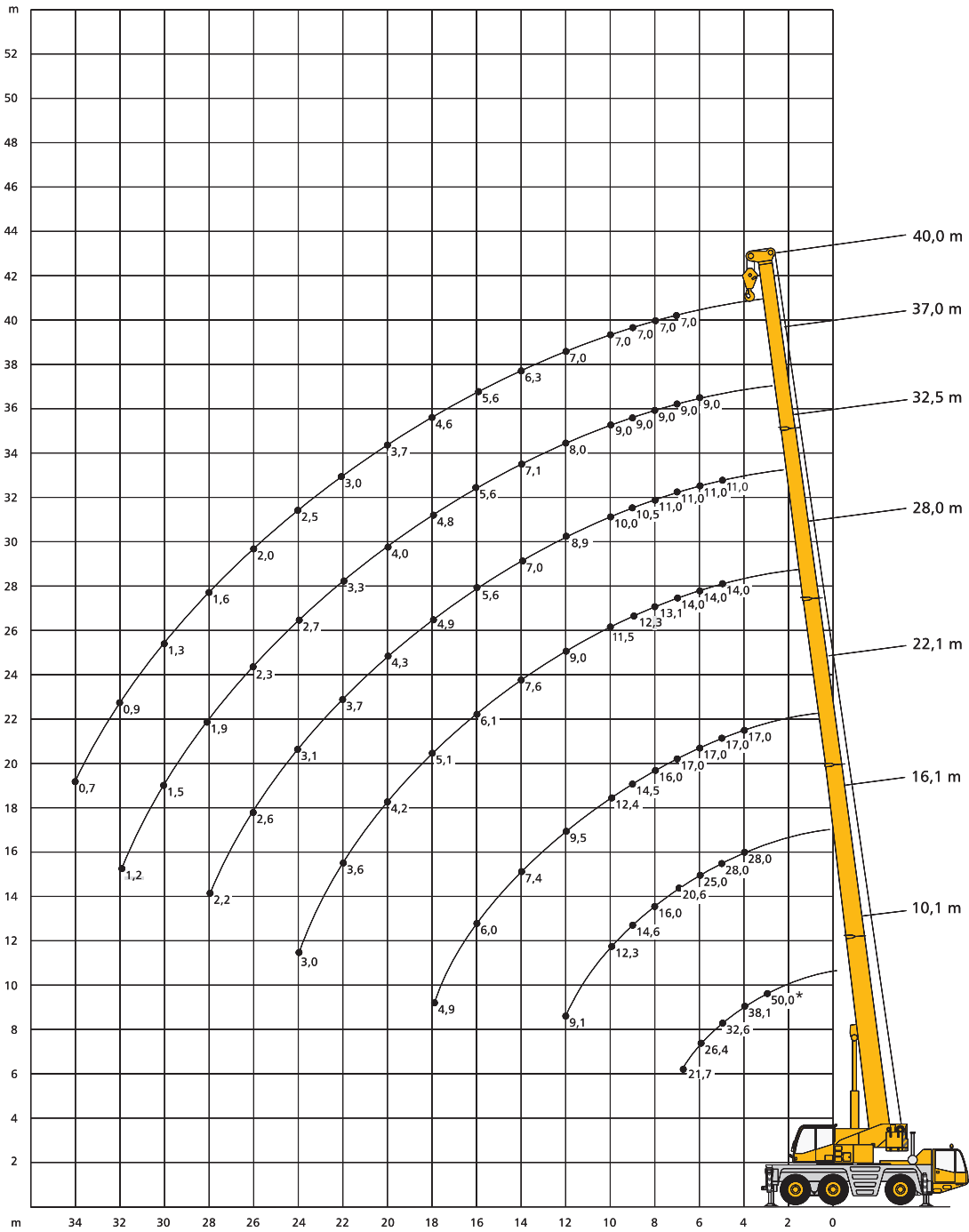
Radius	Main boom							Radius
Radio	10.1m	16.1m	22.1m	28.0m	32.5m	37.0m	40.0m	Radio
m	t	t	t	t	t	t	t	m
3	50.0*	-	-	-	-	-	-	3
3	45.7	-	-	-	-	-	-	3
3.5	41.6	28.0	-	-	-	-	-	3.5
4	38.1	28.0	17.0	-	-	-	-	4
4.5	35.2	28.0	17.0	14.0	-	-	-	4.5
5	32.6	28.0	17.0	14.0	11.0	-	-	5
6	26.4	25.0	17.0	14.0	11.0	9.0	-	6
7	21.7	20.6	17.0	14.0	11.0	9.0	7.0	7
8	-	16.0	16.0	13.1	11.0	9.0	7.0	8
9	-	14.6	14.5	12.3	10.5	9.0	7.0	9
10	-	12.3	12.4	11.5	10.0	9.0	7.0	10
12	-	9.1	9.5	9.0	8.9	8.0	7.0	12
14	-	-	7.4	7.6	7.0	7.1	6.3	14
16	-	-	6.0	6.1	5.6	5.6	5.6	16
18	-	-	4.9	5.1	4.9	4.8	4.6	18
20	-	-	-	4.2	4.3	4.0	3.7	20
22	-	-	-	3.6	3.7	3.3	3.0	22
24	-	-	-	3.0	3.1	2.7	2.5	24
26	-	-	-	-	2.6	2.3	2.0	26
28	-	-	-	-	2.2	1.9	1.6	28
30	-	-	-	-	-	1.5	1.3	30
32	-	-	-	-	-	1.2	0.9	32
34	-	-	-	-	-	-	0.7	34

* Over rear

Terex AC50-1

Terex AC50-1

Lifting heights



* Over rear

Terex AC50-1