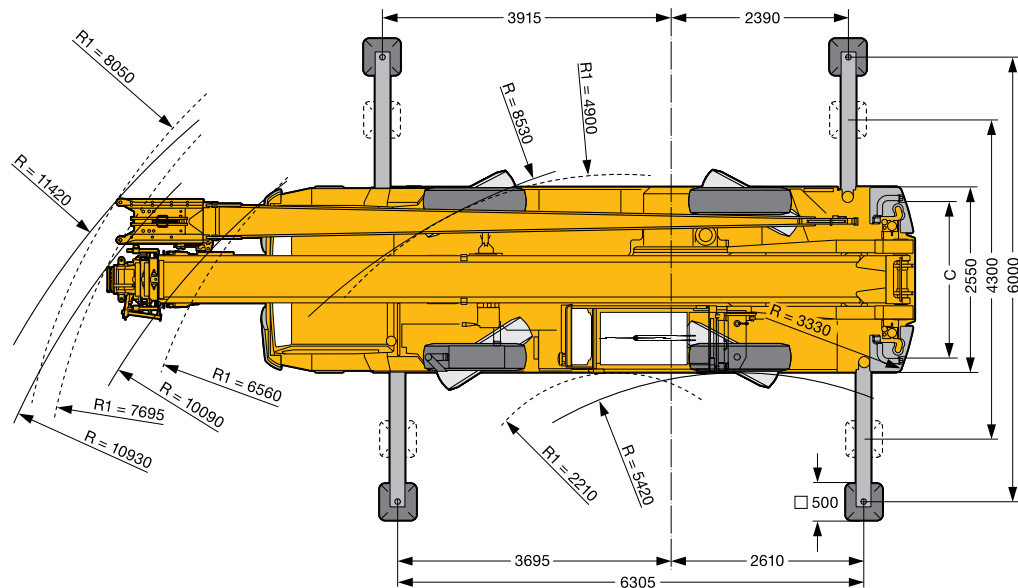
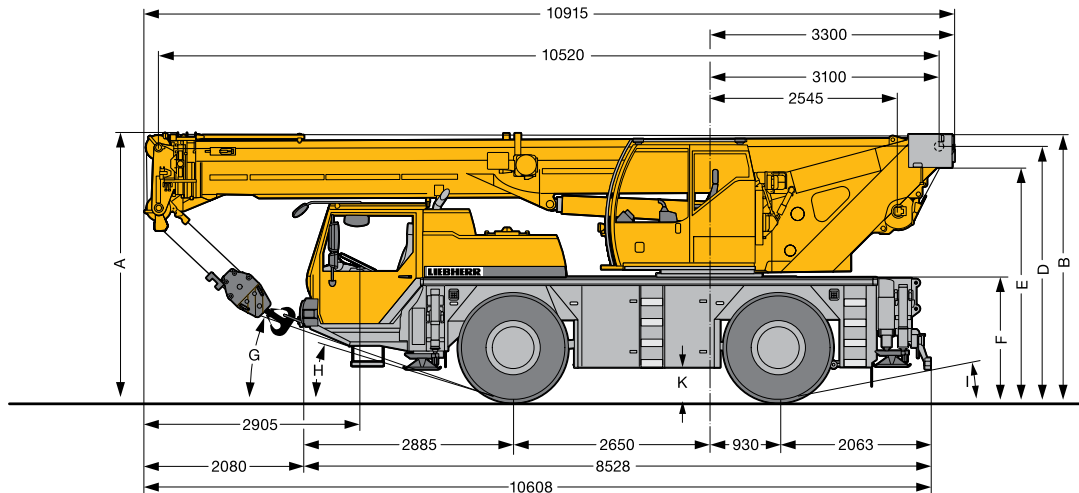



Liebherr LTM 1040-2.1

All terrain crane

Dimensions



	A	A 100mm*	B	C	D	E	F	G	H	I	K
385/95 R 25 (14.00 R 25)	3550	3450	3550	2113	3369	3074	1598	18°	16°	11°	375
445/95 R 25 (16.00 R 25)	3600	3500	3600	2101	3419	3124	1648	19°	17°	12°	425


* Lowered

Liebherr LTM 1040-2.1


Liebherr LTM 1040-2.1

Weights/Working speeds

Weights




	Axle	1	2	Total weight t
	(t)	12	12	24*

* with 1.5t counterweight.

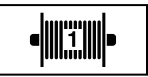

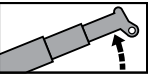
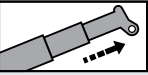
	Load t	Number of sheaves	Number of lines	Weight
	35	5	10	265
	22.4	3	7	165
	10	1	3	145
	3.3	-	1	75

Working speeds



	1	2	3	4	5	6	R1	R2	1	2	3	4	5	6	R1	R2
km/h	9.5	14.5	23	36	56	80	9.5	23	10.5	16	25.5	39	61	80	10.5	25.5
	>60%								60%							
	385/95 R 25 (14.00 R 25)								445/95 R 25 (16.00 R 25)							



Drive	Infinitely variable	Rope diameter/ length	Maximum single line pull
	0-120 m/min Single line	13 mm / 165m	34 kN
	0-2.5 min ⁻¹		
	Approx. 45 seconds to reach 81° boom angle		
	Approx. 65 seconds for boom extension from 10.5m-35m		

Liebherr LTM 1040-2.1

Liebherr LTM 1040-2.1

Lifting capacities



m	10.5m		15.4m		20.3m		25.2m		30.1m		32.6m		35m	
	*			**		**		**		**		**		**
2.5	40.0													
3.0	35.4	30.6	19.7	15.4										
3.5	32.9	28.2	20.2	15.5	17.5	13.1								
4.0	29.8	25.6	20.6	15.6	18.0	13.0	15.1	10.4						
4.5	26.7	23.5	21.2	15.9	18.3	13.0	14.8	10.3	10.7	7.5				
5.0	24.3	21.6	21.3	16.1	18.8	12.8	14.3	10.2	10.6	7.4	9.0	5.6		
6.0	20.0	18.5	18.8	16.4	18.7	12.5	13.3	10.0	10.2	7.2	8.8	5.4	7.4	3.7
7.0	15.6	15.4	15.7	15.6	15.3	12.4	12.4	9.9	9.6	7.0	8.5	5.2	7.2	3.5
8.0			13.0	13.0	12.8	12.3	11.5	9.7	8.9	6.8	8.1	5.0	6.9	3.3
9.0			10.7	10.7	10.8	10.8	10.4	9.2	8.4	6.5	7.7	4.8	6.6	2.8
10.0			9.0	9.0	9.1	9.1	9.1	8.9	7.9	6.0	7.3	4.6	6.3	2.6
11.0			7.7	7.7	7.8	7.8	7.9	7.9	7.4	5.8	6.9	4.5	6.1	2.5
12.0			6.7	6.7	6.8	6.8	6.9	6.9	6.9	5.7	6.5	4.3	5.8	2.4
13.0					6.0	6.0	6.1	6.1	6.1	5.6	6.1	4.2	5.6	2.3
14.0					5.3	5.3	5.4	5.4	5.4	5.3	5.5	4.1	5.4	2.2
15.0					4.7	4.7	4.8	4.8	4.9	4.9	4.9	3.9	4.9	2.1
16.0					4.3	4.3	4.3	4.3	4.4	4.4	4.4	3.8	4.4	2.0
17.0					3.8	3.8	3.9	3.9	3.9	3.9	4.0	3.7	4.0	1.9
18.0							3.5	3.5	3.6	3.6	3.6	3.6	3.6	1.8
19.0							3.2	3.2	3.3	3.3	3.3	3.3	3.3	1.6
20.0							2.9	2.9	3.0	3.0	3.0	3.0	3.0	1.4
21.0							2.7	2.7	2.7	2.7	2.7	2.7	2.8	1.2
22.0							2.5	2.5	2.5	2.5	2.5	2.5	2.5	1.1
23.0									2.3	2.3	2.3	2.3	2.3	0.9
24.0									2.1	2.1	2.1	2.1	2.1	0.8
25.0									1.9	1.9	1.9	1.9	1.9	0.7
26.0									1.7	1.7	1.7	1.7	1.8	
27.0									1.5	1.5	1.6	1.6	1.6	
28.0											1.4	1.4	1.5	
29.0											1.3	1.3	1.3	
30.0													1.2	
31.0													1.1	

* Over rear.

** Telescopic loads.

Liebherr LTM 1040-2.1

TONNE

40

Liebherr LTM 1040-2.1

Lifting heights

Liebherr LTM 1040-2.1

