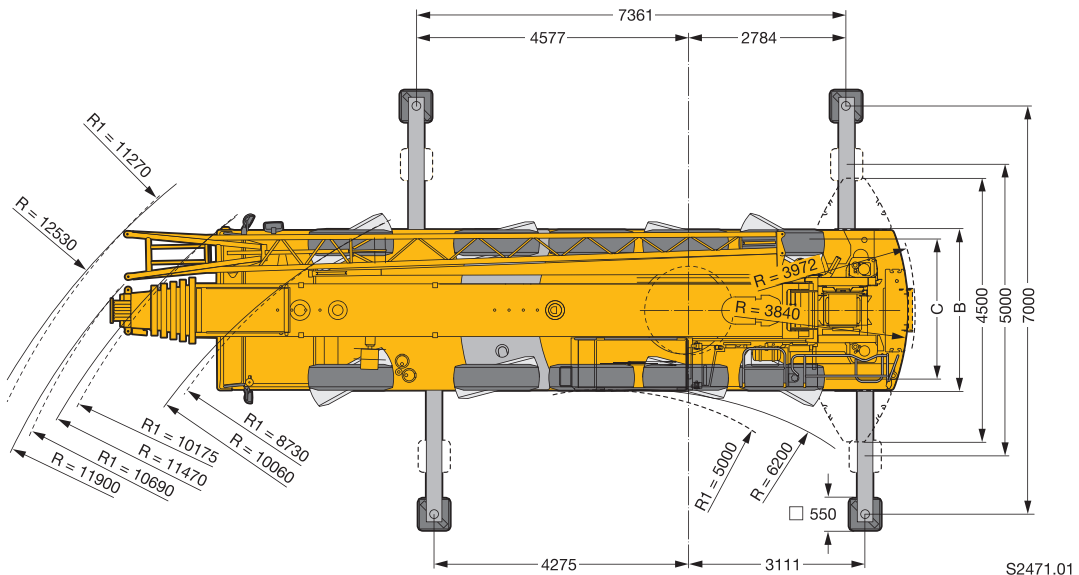
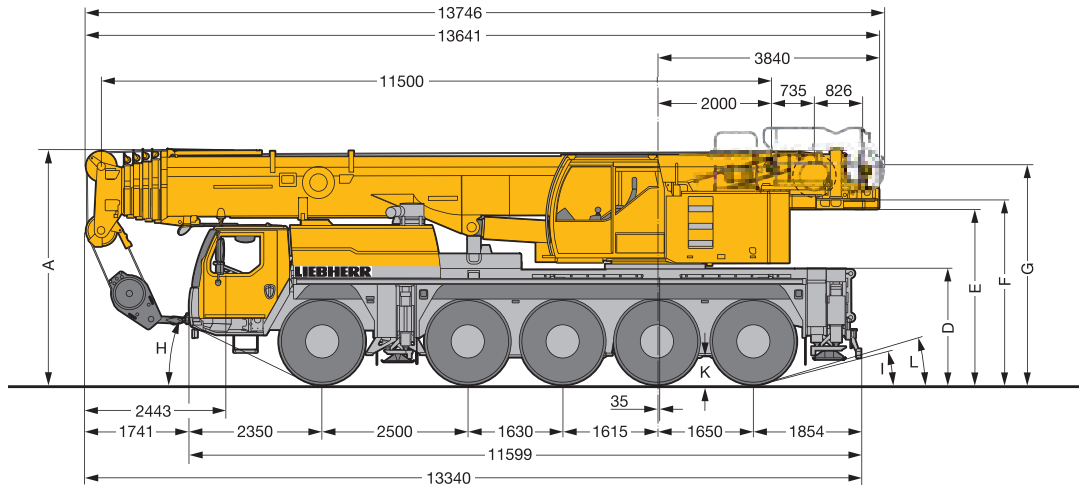


# Liebherr LTM 1100-5.2

All terrain crane

## Dimensions



S2471.01

	A	A 100mm*	B	C	D	E	F	G	H	I	K	L
<b>385/95 R 25 (14.00 R 25)</b>	3950	3850	2750	2313	1890	2925	3080	3655	22°	11°	375	14°
<b>445/95 R 25 (16.00 R 25)</b>	4000	3900	2750	2301	1940	2975	3130	3705	24°	13°	425	16°
<b>525/80 R 25 (20.50 R 25)</b>	4000	3900	2850	2323	1940	2795	3130	3705	24°	13°	425	16°

\* Lowered

Liebherr LTM 1100-5.2


# Liebherr LTM 1100-5.2

## Weights/Working speeds

### Weights



	Axle	1	2	3	4	5	Total weight t
	(t)	12	12	12	12	12	60*

\* with 11.5t counterweight and double folding jib




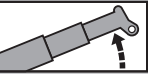
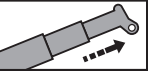
	Load t	Number of sheaves	Number of lines	Weight
	100	7	14	1240 kg
	90.2	5	10	700 kg
	59.1	3	7	500 kg
	26.1	1	3	450 kg
	8.8	-	1	250 kg

### Working speeds



		1	2	3	4	5	6	7	8	9	10	11	12	R1	R2	
385/95 R 25 (14.00 R 25)	km/h	1.79-5.2	6.7	8.6	11.1	14	18.1	23.8	30.6	39.4	50.5	64.2	75	1.92-5.6	7.2	48%
	km/h	0.78	2.9	3.8	4.8	-	-	-	-	-	-	-	-	0.84-2.4	3.2	>60%
445/95 R 25 (16.00 R 25)	km/h	1.94-5.7	7.3	9.4	12.1	15.3	19.7	25.9	33.2	42.8	55	69.8	80	2.09-6.1	7.9	43%
525/80 R 25 (20.50 R 25)	km/h	0.85-2.5	3.2	4.1	5.3	-	-	-	-	-	-	-	-	0.91-2.7	3.4	55%




Drive	Infinitely variable	Rope diameter/ length	Maximum single line pull
	0-130 m/min Single line	21 mm/200m	88 kN
	0-130 m/min Single line	21 mm/200m	88 kN
	0-2 min <sup>-1</sup>		
	Approx. 40 seconds to reach 82° boom angle		
	Approx. 360 seconds for boom extension from 11.5m-52m		

Liebherr LTM 1100-5.2

# Liebherr LTM 1100-5.2

## Lifting capacities



 m	11.5m	15.2m	19m	22.7m	26.4m	30.1m	33.9m	37.6m	41.3m	45m	48.8m	52m
3.0	82.6											
3.5	80.0	65.0	61.5									
4.0	73.6	65.8	62.0	60.6								
4.5	67.9	66.0	62.6	58.7	51.3							
5.0	62.9	62.9	61.0	55.5	49.3	41.8						
6.0	53.8	54.1	53.8	52.5	46.0	39.3	32.8	27.8				
7.0	46.4	46.7	46.8	46.5	43.7	37.1	31.1	26.6	22.4			
8.0	40.2	40.7	40.6	40.3	40.0	35.2	29.3	25.3	21.4	18.8		
9.0	35.0	35.7	35.4	35.1	35.6	33.5	27.6	24.0	20.4	18.1	14.5	
10.0		31.4	31.0	32.2	31.6	31.3	25.8	22.6	19.5	17.3	14.0	11.5
12.0		24.8	25.4	25.6	25.4	25.1	22.5	19.8	17.6	16.0	13.3	10.8
14.0			20.9	21.0	20.8	20.5	19.9	17.5	15.7	14.6	12.6	10.2
16.0			17.5	17.6	17.4	17.1	17.0	15.6	14.1	13.2	11.9	9.6
18.0				15.0	14.8	14.5	14.8	13.9	12.7	12.0	11.0	9.2
20.0				12.8	12.6	13.0	12.7	12.3	11.5	10.9	10.1	8.6
22.0					10.9	11.3	11.0	10.6	10.3	9.9	9.2	8.2
24.0					9.6	9.9	9.6	9.5	9.4	9.0	8.5	7.7
26.0						8.7	8.6	8.6	8.2	8.2	7.8	7.1
28.0						7.7	7.8	7.6	7.5	7.5	7.2	6.5
30.0							7.0	6.7	6.7	6.6	6.3	6.0
32.0								6.2	6.0	5.9	5.6	5.5
34.0								5.6	5.4	5.3	5.0	5.0
36.0									4.9	4.8	4.5	4.5
38.0									4.5	4.4	4.1	4.1
40.0										4.0	3.7	3.7
42.0										3.6	3.3	3.3
44.0											2.9	2.9
46.0											2.6	2.6
48.0												2.3
50.0												2.0

Liebherr LTM 1100-5.2


TONNE

100

# Liebherr LTM 1100-5.2

## Lifting capacities

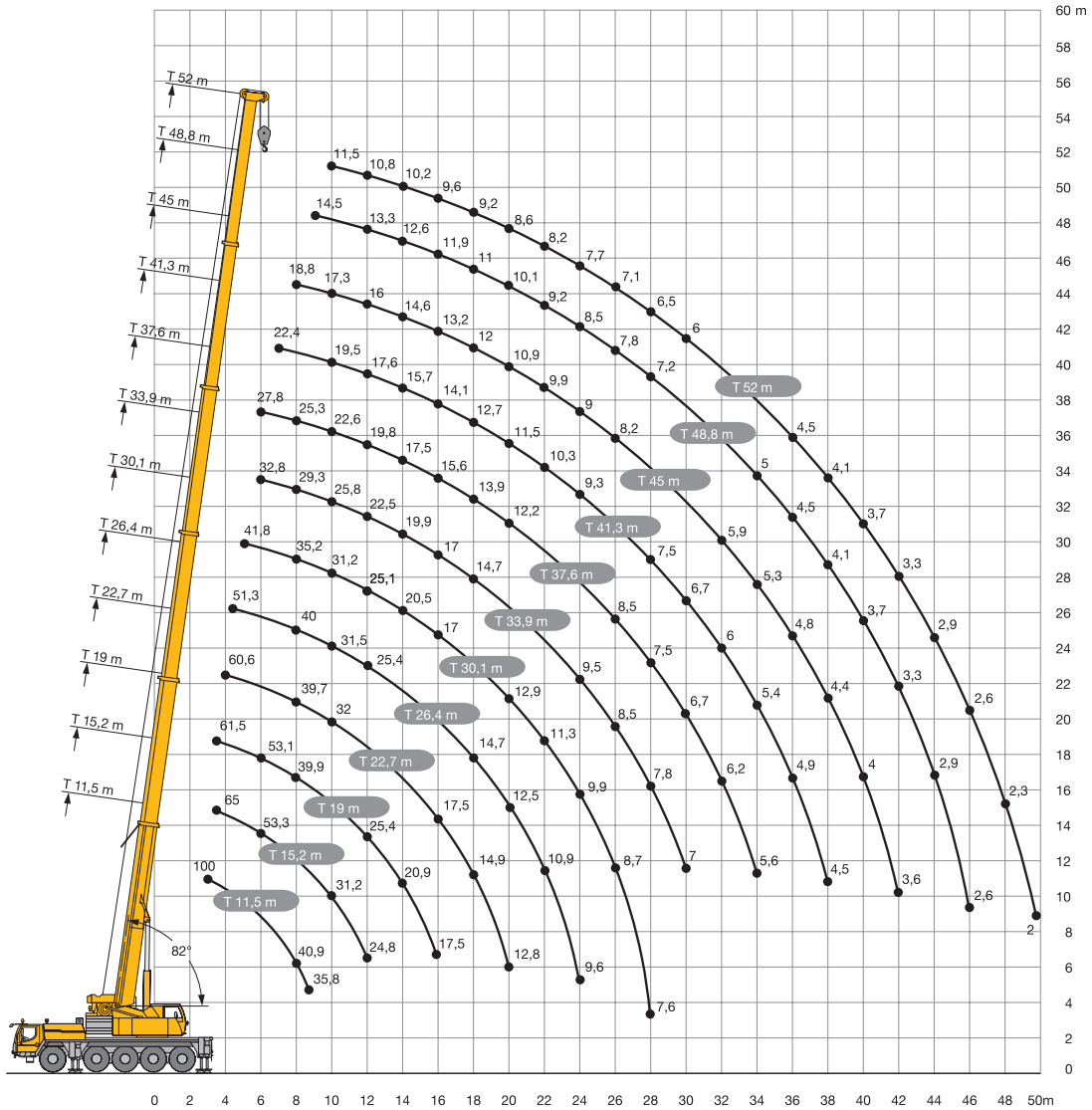


 m	11.5m	15.2m	19m	22.7m	26.4m	30.1m	33.9m	37.6m	41.3m	45m	48.8m	52m
3.0	82.6											
3.5	79.7	65.0	61.5									
4.0	73.1	65.8	62.0	60.6								
4.5	67.3	65.5	62.6	58.7	51.3							
5.0	61.5	61.6	60.9	55.5	49.3	41.8						
6.0	51.9	52.2	52.1	51.9	46.0	39.3	32.8	27.8				
7.0	43.8	44.5	44.3	44.0	43.7	37.1	31.1	26.6	22.4			
8.0	37.2	37.9	37.6	37.8	37.8	35.2	29.3	25.3	21.4	18.8		
9.0	31.9	32.6	32.3	33.6	33.4	32.8	27.6	24.0	20.4	18.1	14.5	
10.0		28.5	29.1	29.4	29.3	28.8	25.8	22.6	19.5	17.3	14.0	11.5
12.0		22.6	23.2	23.3	23.1	22.8	22.0	19.8	17.6	16.0	13.3	10.8
14.0			18.6	18.7	18.6	18.3	18.3	17.1	15.7	14.6	12.6	10.2
16.0			15.2	15.3	15.1	15.6	15.2	14.8	14.0	13.2	11.9	9.6
18.0				12.8	12.7	13.1	12.7	12.3	12.4	11.8	11.0	9.2
20.0				10.9	10.8	11.1	11.0	10.9	10.6	10.4	10.1	8.6
22.0					9.3	9.6	9.6	9.4	9.4	9.4	9.0	8.2
24.0					8.1	8.3	8.5	8.3	8.2	8.2	7.9	7.6
26.0						7.7	7.5	7.5	7.3	7.1	6.8	6.7
28.0						6.9	6.7	6.6	6.4	6.3	6.0	5.9
30.0							5.9	5.9	5.7	5.5	5.2	5.1
32.0								5.3	5.0	4.9	4.5	4.5
34.0								4.7	4.4	4.3	3.9	3.9
36.0									3.9	3.8	3.4	3.4
38.0									3.5	3.3	3.0	3.0
40.0										2.9	2.6	2.6
42.0										2.6	2.2	2.2
44.0											1.9	1.9
46.0											1.6	1.6
48.0												1.3
50.0												1.1

Liebherr LTM 1100-5.2

# Liebherr LTM 1100-5.2

## Lifting heights



Liebherr LTM 1100-5.2