

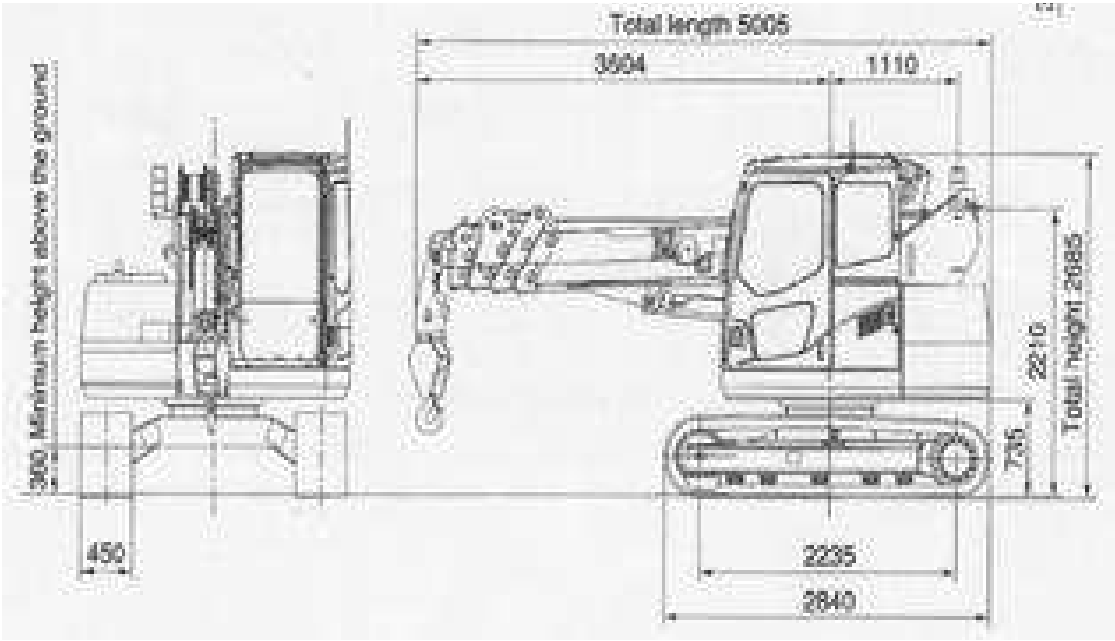
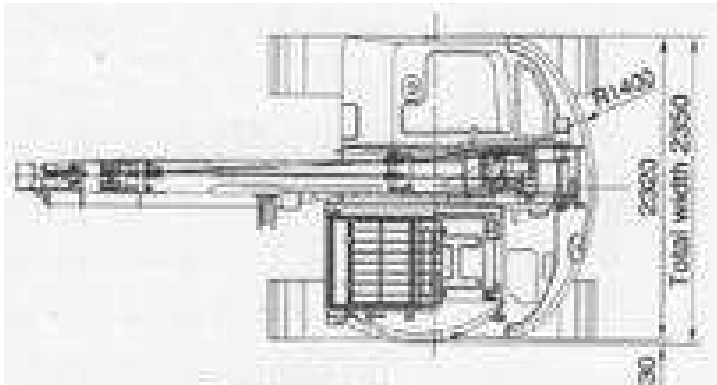
Maeda LC785

Crawler crane

TONNE

4.9

Dimensions



Maeda LC785

Maeda LC785

Lifting capacities

Total rated load

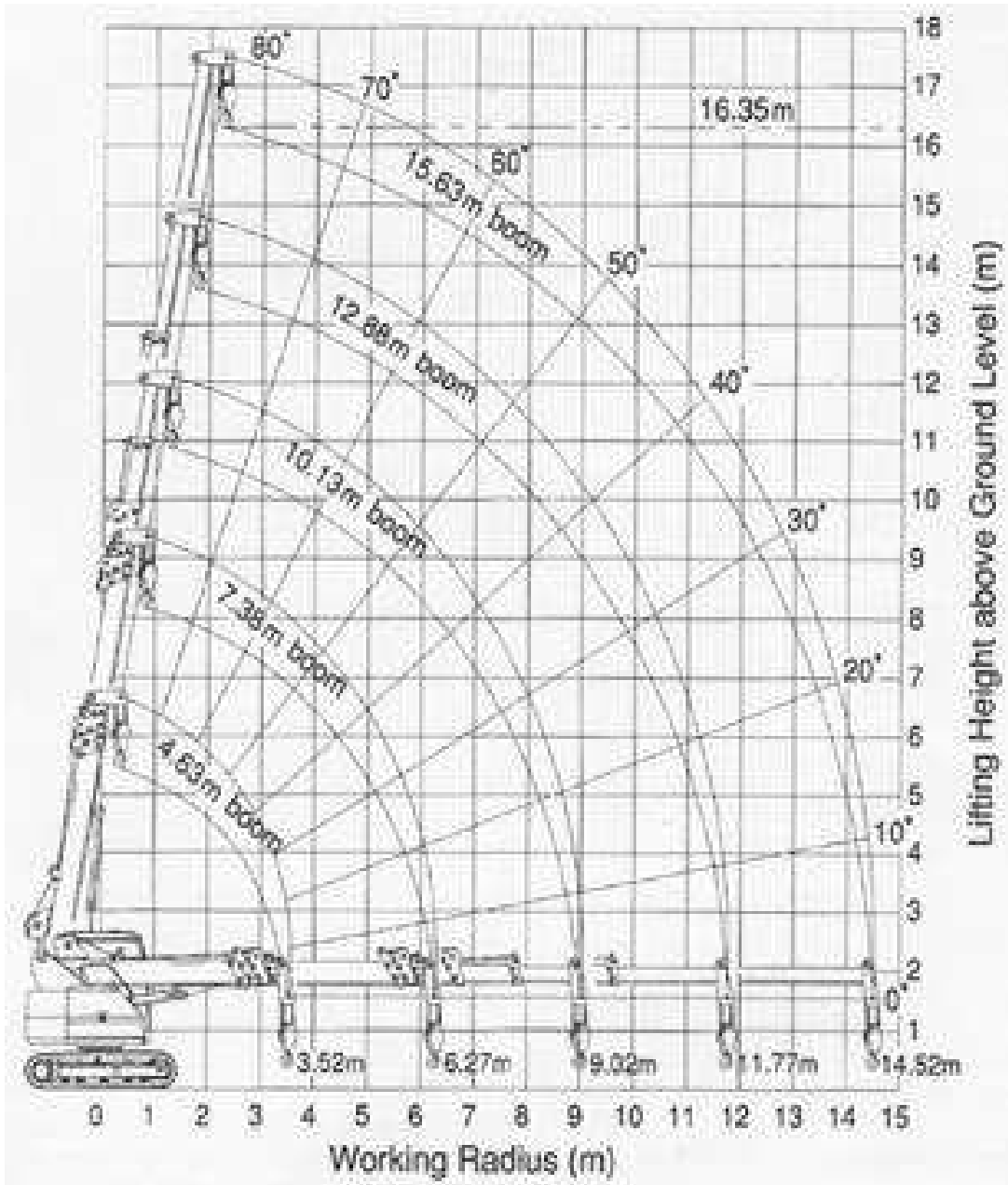
Rated load (kg) (4 falls)

Working radius	4.63m	7.38m	10.13m	12.88m	15.63m
2.00	4900	4900	2600	2000	
2.50	3800	3760	2600	2000	1400
3.00	2900	2980	2310	2000	1400
3.50		2420	2010	1890	1400
4.00		2000	1750	1650	1400
4.50		1670	1530	1450	1320
5.00		1400	1340	1280	1200
6.00		1000	1030	1010	990
7.00			780	800	820
8.00			580	530	680
9.00			410	500	560
10.00				390	450
11.00				300	360
12.00					280
13.00					210
14.00					200
14.52					200

1. The rated load is the value not greater than 78% of the tipping load when the machine is placed on firm, level ground and forward stability is 1.15 or above.
2. By subtracting the weight of the slinging equipment, such as the hook (90kg for a 4.9 ton capacity hook), from the values shown in the table, the actual maximum load can be determined.

Maeda LC785

Lifting heights



Maeda LC785