

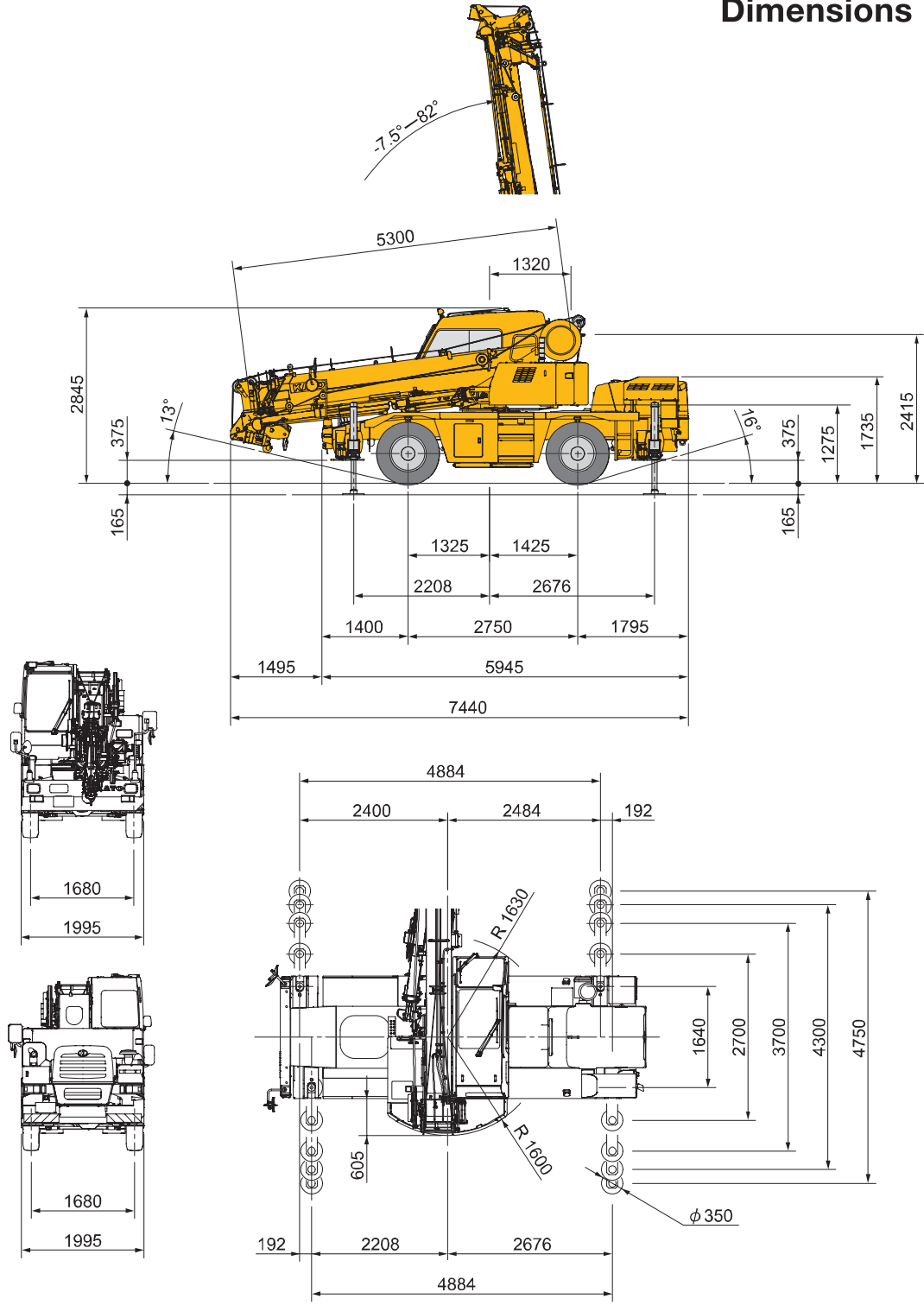
TONNE

13

# Kato MR130R

City crane

## Dimensions



Kato MR130R

# Kato MR130R

## Lifting capacities

### Rated lifting capacity

5.3m – 24.0m Boom



Working radius (m)	Outriggers fully extended (360° full range)					
	5.3m Boom	9.04m Boom	12.78m Boom	16.52m Boom	20.26m Boom	24.0m Boom
1.5	13.00	6.00	6.00			
1.7	13.00	6.00	6.00			
2.0	12.00	6.00	6.00	5.00		
2.5	10.00	6.00	6.00	5.00		
3.0	8.20	6.00	6.00	5.00	4.70	
3.5	7.00	6.00	6.00	5.00	4.70	3.20
4.0	6.10	6.00	6.00	5.00	4.70	3.20
4.5		5.50	5.40	5.00	4.50	3.20
5.0		5.00	4.90	4.60	4.05	3.20
5.5		4.50	4.40	4.20	3.70	3.20
6.0		4.10	4.00	3.80	3.40	3.00
6.5		3.70	3.65	3.50	3.15	2.80
7.0		3.35	3.30	3.20	2.90	2.60
8.0		2.70 (7.7m)	2.90	2.70	2.50	2.25
9.0			2.25	2.30	2.20	1.95
10.0			1.80	2.05	1.95	1.75
11.0			1.45	1.70	1.75	1.55
12.0			1.35 (11.4m)	1.40	1.50	1.40
13.0				1.15	1.30	1.25
14.0				0.95	1.10	1.15
15.0				0.80	0.90	1.00
16.0					0.79	0.85
17.0					0.68	0.74
18.0					0.58	0.64
19.0					0.5 (18.8m)	0.55
20.0						0.47
21.0						0.41
22.0						0.35
22.5						0.32
Critical boom angle	-	-	-	-	-	-
Standard hook	for 13 ton					
Hook mass	90kg					
Parts of line	8	4	4	4	4	4

Working radius (m)	Outriggers intermediately extended (over side)					
	5.3m Boom	9.04m Boom	12.78m Boom	16.52m Boom	20.26m Boom	24.0m Boom
1.5	13.00	6.00	6.00			
1.7	13.00	6.00	6.00			
2.0	12.00	6.00	6.00	5.00		
2.5	10.00	6.00	6.00	5.00		
3.0	8.20	6.00	6.00	5.00	4.70	
3.5	7.00	6.00	6.00	5.00	4.70	3.20
4.0	6.10	6.00	6.00	5.00	4.70	3.20
4.5		5.50	5.40	5.00	4.50	3.20
5.0		5.00	4.90	4.60	4.05	3.20
5.5		4.50	4.40	4.20	3.70	3.20
6.0		4.10	4.00	3.80	3.40	3.00
6.5		3.65	3.60	3.50	3.15	2.80
7.0		3.20	3.15	3.20	2.90	2.60
8.0		2.65 (7.7m)	2.45	2.60	2.50	2.25
9.0			1.90	2.10	2.20	1.95
10.0			1.50	1.70	1.85	1.75
11.0			1.20	1.40	1.55	1.55
12.0			1.10 (11.4m)	1.15	1.30	1.35
13.0				0.95	1.10	1.15
14.0				0.80	0.90	1.00
15.0				0.65	0.75	0.85
16.0					0.65	0.70
17.0					0.55	0.60
18.0					0.45	0.50
19.0					0.35 (18.5m)	0.40
20.0						0.35
21.0						0.30
22.0						0.25
22.5						
Critical boom angle	-	-	-	-	-	-
Standard hook	for 13 ton					
Hook mass	90kg					
Parts of line	8	4	4	4	4	4

Kato MR130R

# Kato MR130R

## Lifting capacities

### Rated lifting capacity

5.3m – 24.0m Boom



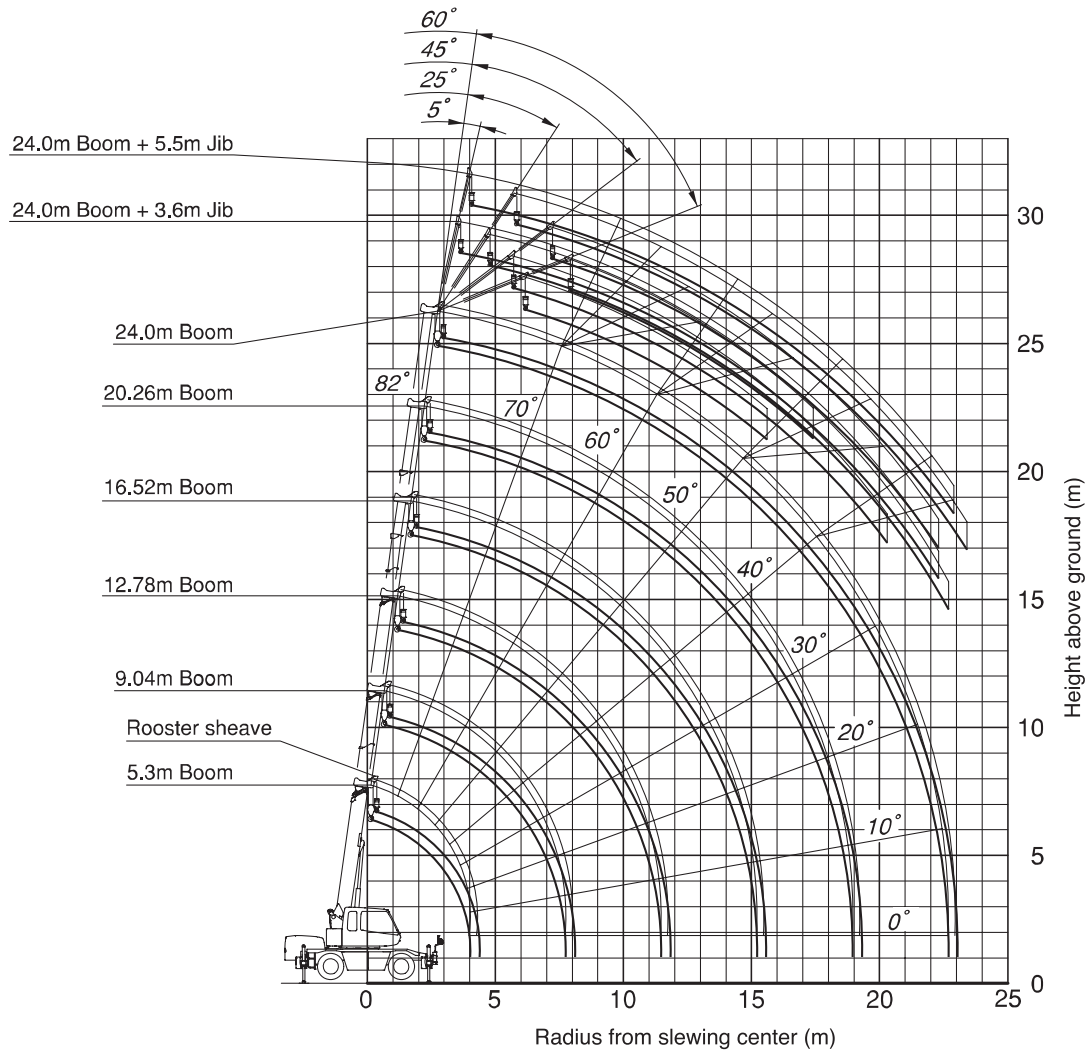
Working radius (m)	Outriggers intermediately extended (over side)					
	5.3m Boom	9.04m Boom	12.78m Boom	16.52m Boom	20.26m Boom	24.0m Boom
1.5	12.00	6.00	6.00			
1.7	12.00	6.00	6.00			
2.0	12.00	6.00	6.00	5.00		
2.5	10.00	6.00	6.00	5.00		
3.0	8.20	6.00	6.00	5.00	4.70	
3.5	7.00	6.00	6.00	5.00	4.70	3.20
4.0	6.10	6.00	6.00	5.00	4.70	3.20
4.5		5.10	5.10	5.00	4.50	3.20
5.0		4.40	4.40	5.00	4.05	3.20
5.5		3.80	3.70	4.50	3.70	3.20
6.0		3.20	3.20	3.90	3.40	3.00
6.5		2.80	2.75	3.40	3.05	2.75
7.0		2.40	2.35	2.95	2.70	2.50
8.0		1.96 (7.7m)	1.80	2.55	2.10	2.15
9.0			1.40	2.00	1.70	1.75
10.0			1.05	1.60	1.35	1.45
11.0			0.80	1.25	1.10	1.20
12.0			0.70 (11.4m)	1.00	0.90	1.00
13.0				0.80	0.75	0.85
14.0				0.50	0.60	0.70
15.0				0.40	0.50	0.55
16.0					0.40	0.45
17.0					0.30	0.35
18.0						0.30
19.0						
20.0						
21.0						
22.0						
22.5						
Critical boom angle	-	-	-	-	23°	36°
Standard hook	for 13 ton					
Hook mass	90kg					
Parts of line	8	4	4	4	4	4

Working radius (m)	Outriggers intermediately extended (over side)					
	5.3m Boom	9.04m Boom	12.78m Boom	16.52m Boom	20.26m Boom	24.0m Boom
1.5	12.00	6.00	6.00			
1.7	12.00	6.00	6.00			
2.0	12.00	6.00	6.00	5.00		
2.5	8.50	6.00	6.00	5.00		
3.0	6.00	6.00	6.00	5.00	4.70	
3.5	4.70	4.70	4.60	4.50	4.40	3.20
4.0	3.70	3.70	3.70	3.70	3.70	3.20
4.5		3.00	3.00	3.10	3.10	3.00
5.0		2.40	2.40	2.60	2.70	2.70
5.5		2.00	2.00	2.20	2.30	2.30
6.0		1.70	1.70	1.85	2.00	2.05
6.5		1.40	1.40	1.60	1.70	1.75
7.0		1.20	1.20	1.40	1.50	1.55
8.0		0.90 (7.7m)	0.85	1.05	1.15	1.20
9.0			0.60	0.80	0.90	0.95
10.0			0.35	0.55	0.65	0.75
11.0				0.40	0.50	0.60
12.0				0.25	0.35	0.45
13.0					0.20	0.30
14.0						0.20
15.0						
16.0						
17.0						
18.0						
19.0						
20.0						
21.0						
22.0						
22.5						
Critical boom angle	-	-	19°	32°	44°	50°
Standard hook	for 13 ton					
Hook mass	90kg					
Parts of line	8	4	4	4	4	4

Kato MR130R

# Kato MR130R

## Lifting heights



Note:

1. This diagram does not include deflection of boom and jib.
2. The outriggers are fully extended (360° full range).

Kato MR130R