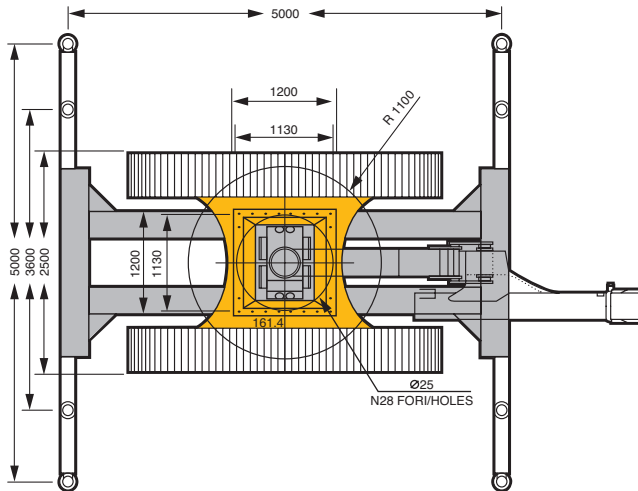
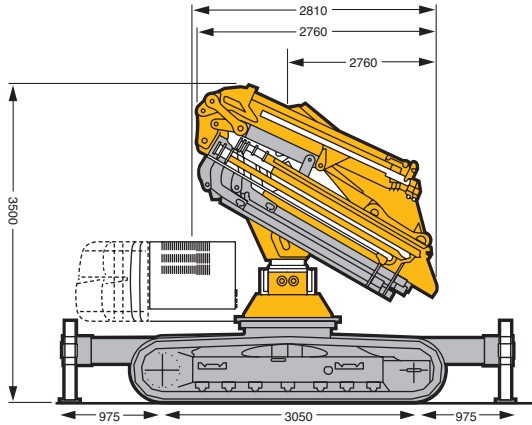


# ACC 2050/2

Crawler crane

TONNE  
12

## Dimensions



ACC 2050/2

**ACC 2050/2**

## Lifting capacities

**ACC 2050/2 fully extended 20.6m telescopic  
main boom + 2.2m manual section**

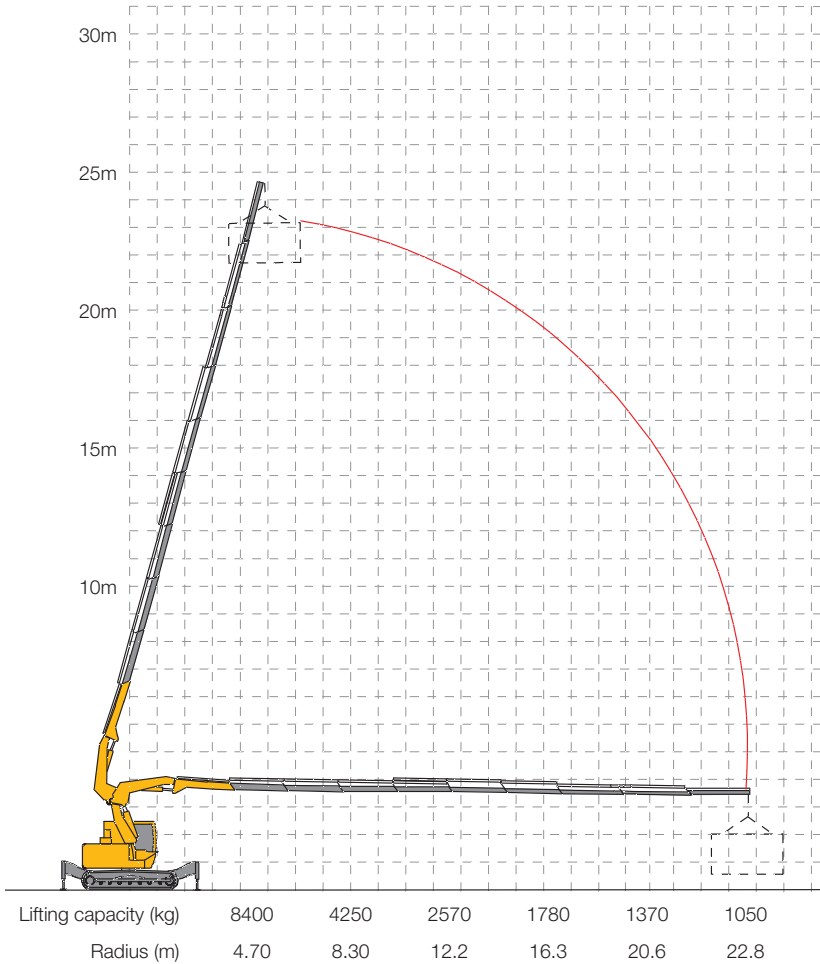
Radius m	5m x 5m outriggers	3.6m x 5m outriggers	On tracks
2	20,500	–	–
3	13,700	8,300	5,700
4	11,100	6,900	3,900
5	9,200	5,400	2,800
6	7,000	4,400	2,200
7	6,100	3,500	1,500
8	5,100	2,900	1,100
9	4,200	2,500	1,000
10	3,800	2,100	700
11	3,300	1,800	500
12	3,000	1,600	400
13	2,700	1,400	350
14	2,500	1,300	300
15	2,350	1,200	250
16	2,100	1,100	200
17	1,750	900	–
18	1,600	800	–
19	1,500	700	–
20	1,400	650	–
20.6	1,370	600	–
22.8	1,120	500	–

Loads are shown in kg

ACC 2050/2

# ACC 2050/2

## Lifting heights



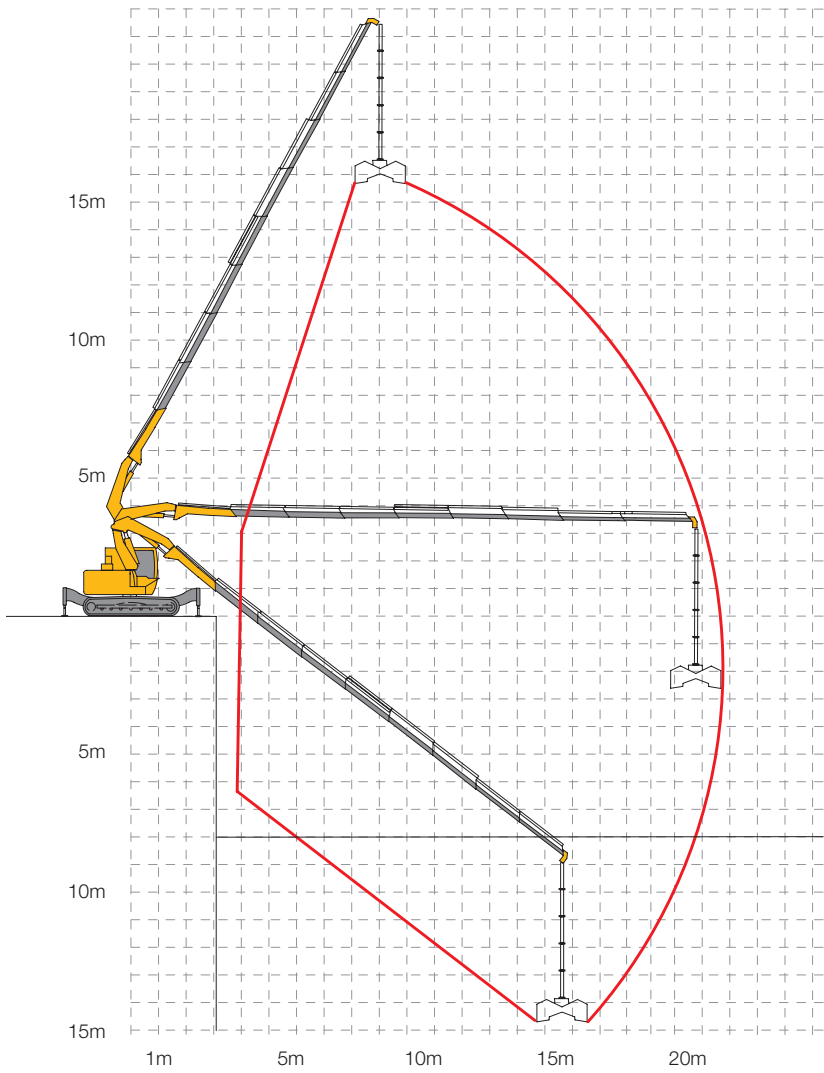
ACC 2050/2

TONNE

12

# ACC 2050/2

## Lifting heights



ACC 2050/2