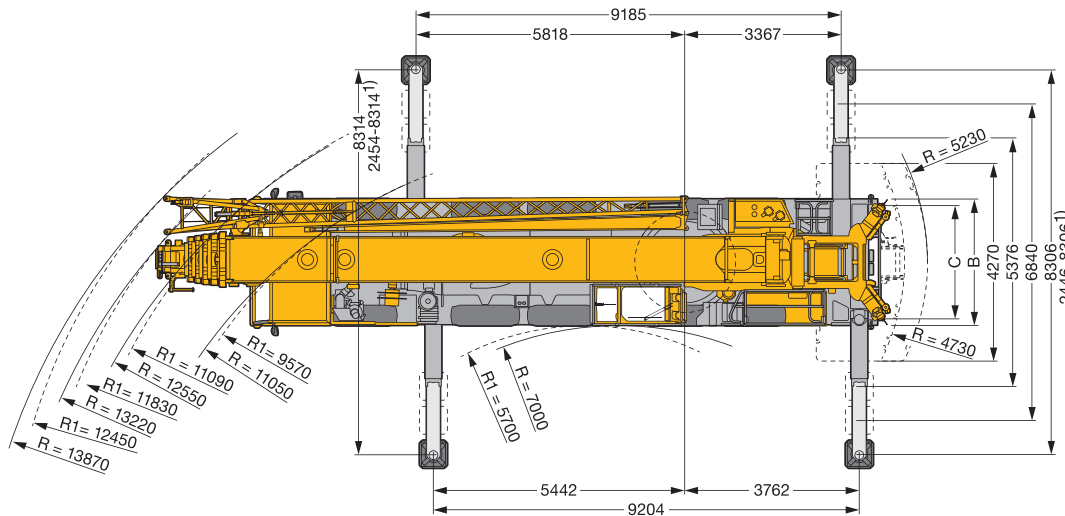
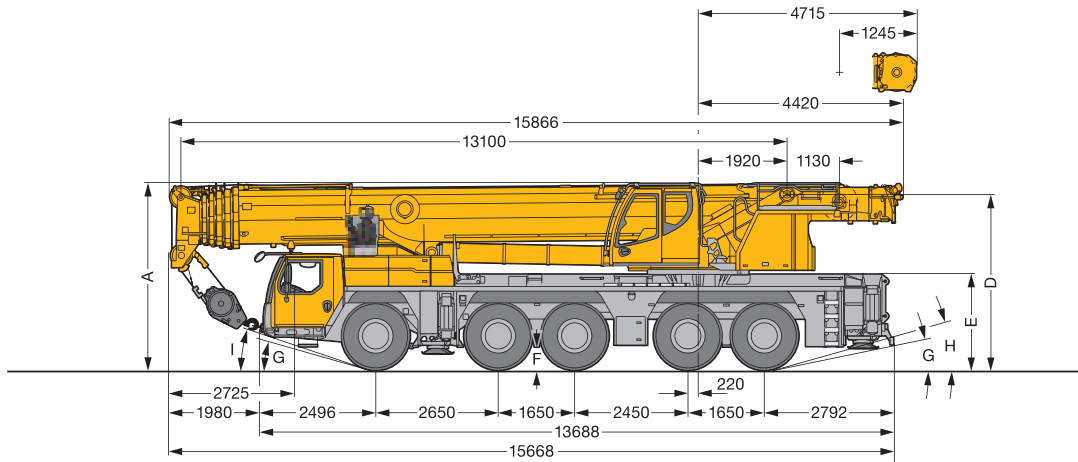



# Liebherr LTM 1160-5.2

All terrain crane

## Dimensions



|  | A    | A<br>100mm* | B    | C    | D    | E    | I   | H   | F   | G   |
|---|------|-------------|------|------|------|------|-----|-----|-----|-----|
| 385/95 R 25 (14.00 R 25)  | 3950 | 3850        | 2750 | 2360 | 3708 | 1996 | 17° | 9°  | 358 | 13° |
| 445/95 R 25 (16.00 R 25)  | 4000 | 3900        | 2750 | 2300 | 3758 | 2046 | 18° | 10° | 408 | 15° |
| 525/80 R 25 (20.50 R 25)  | 4000 | 3900        | 2850 | 2320 | 3758 | 2046 | 18° | 10° | 408 | 15° |


\* Lowered

Liebherr LTM 1160-5.2


# Liebherr LTM 1160-5.2

## Weights/Working speeds

### Weights







|  | Axle | 1  | 2  | 3  | 4  | 5  | Total weight t |
|---|------|----|----|----|----|----|----------------|
|   | (t)  | 12 | 12 | 12 | 12 | 12 | 60*            |

\* with double swing away jib, 3-sheave hook block, 1000 kg lifting tackle.




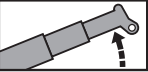
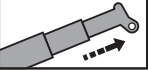
|  | Load t | Number of sheaves | Number of lines | Weight  |
|---|--------|-------------------|-----------------|---------|
|   | 146    | 9                 | 18              | 1320 kg |
|   | 86     | 5                 | 10              | 900 kg  |
|   | 61.6   | 3                 | 7               | 700 kg  |
|   | 27.2   | 1                 | 3               | 650 kg  |
|   | 9.2    | -                 | 1               | 350 kg  |

### Working speeds



|  | Km/h Minimum | Km/h Maximum |  |   |  |
|--|--------------|--------------|--|---|--|
| 385/95 R 25 (14.00 R 25)   | 0.46         | 80           | 62.6%  |  | 12 / R2  |
| 445/95 R 25 (16.00 R 25)<br>525/80 R 25 (20.50 R 25)                               | 0.5          | 85           | 55.7%  |  | 4 / R2   |



| Drive   | Infinitely variable                                   |             | Rope diameter/<br>length | Maximum single<br>line pull |
|---|---|-------------|--------------------------|-----------------------------|
|  | 0-134 m/min   | Single line | 15 mm / 220m             | 45 kN                       |
|  | 0-134 m/min   | Single line | 15 mm / 220m             | 45 kN                       |
|  | 0-1.2 min <sup>-1</sup>                               |             |                          |                             |
|  | Approx. 65 seconds to reach 82° boom angle            |             |                          |                             |
|  | Approx. 400 seconds for boom extension from 13.1m-62m |             |                          |                             |

Liebherr LTM 1160-5.2

# Liebherr LTM 1160-5.2

## Lifting capacities



| m    | 13.1m | 17.6m | 22.1m | 26.6m | 31.1m | 35.5m | 40m  | 44.5m | 49m  | 53.5m | 58m  | 62m  |      |     |     |     |
|------|-------|-------|-------|-------|-------|-------|------|-------|------|-------|------|------|------|-----|-----|-----|
|      | *     |       |       |       |       |       |      |       |      |       |      |      |      |     |     |     |
| 2.5  | 180.0 |       |       |       |       |       |      |       |      |       |      |      |      |     |     |     |
| 3.0  | 160.0 | 86.0  | 86.0  | 86.0  |       |       |      |       |      |       |      |      |      |     |     |     |
| 3.5  | 139.3 | 86.0  | 86.0  | 86.0  | 86.0  |       |      |       |      |       |      |      |      |     |     |     |
| 4.0  | 130.8 | 86.0  | 86.0  | 86.0  | 86.0  |       |      |       |      |       |      |      |      |     |     |     |
| 4.5  | 123.1 | 86.0  | 86.0  | 86.0  | 86.0  | 75.7  |      |       |      |       |      |      |      |     |     |     |
| 5.0  | 113.9 | 86.0  | 86.0  | 86.0  | 86.0  | 74.8  |      |       |      |       |      |      |      |     |     |     |
| 6.0  | 95.2  | 86.0  | 85.1  | 86.0  | 85.7  | 73.0  | 58.6 |       |      |       |      |      |      |     |     |     |
| 7.0  | 81.5  | 77.1  | 77.4  | 77.4  | 77.7  | 71.1  | 56.6 | 42.2  |      |       |      |      |      |     |     |     |
| 8.0  | 71.1  | 68.7  | 69.5  | 69.7  | 69.4  | 68.2  | 54.7 | 39.7  | 33.1 |       |      |      |      |     |     |     |
| 9.0  | 62.9  | 61.6  | 62.4  | 62.6  | 62.3  | 61.8  | 52.9 | 37.3  | 31.7 | 26.5  |      |      |      |     |     |     |
| 10.0 | 56.2  | 55.1  | 56.1  | 56.3  | 56.0  | 55.5  | 51.0 | 35.3  | 30.2 | 25.6  | 22.0 |      |      |     |     |     |
| 11.0 | 47.5  | 47.5  | 50.2  | 50.4  | 50.1  | 49.6  | 49.1 | 33.5  | 28.8 | 24.7  | 21.3 | 17.1 |      |     |     |     |
| 12.0 |       |       | 45.2  | 45.5  | 45.2  | 46.0  | 45.5 | 31.7  | 27.5 | 23.7  | 20.6 | 16.7 | 13.7 |     |     |     |
| 13.0 |       |       | 40.9  | 41.2  | 40.9  | 41.7  | 41.2 | 30.1  | 26.2 | 22.7  | 20.0 | 16.4 | 13.4 |     |     |     |
| 14.0 |       |       | 37.0  | 37.3  | 38.2  | 37.8  | 37.3 | 28.6  | 24.9 | 21.8  | 19.3 | 16.0 | 13.1 |     |     |     |
| 16.0 |       |       |       | 31.2  | 32.0  | 31.7  | 31.1 | 25.7  | 22.8 | 19.9  | 18.2 | 15.2 | 12.4 |     |     |     |
| 18.0 |       |       |       | 27.2  | 27.4  | 27.0  | 26.4 | 23.3  | 20.8 | 18.4  | 17.1 | 14.4 | 11.8 |     |     |     |
| 20.0 |       |       |       | 22.3  | 23.6  | 23.3  | 22.7 | 21.4  | 19.1 | 17.0  | 15.9 | 13.7 | 11.2 |     |     |     |
| 22.0 |       |       |       |       | 20.6  | 20.2  | 19.6 | 19.7  | 17.5 | 15.7  | 14.8 | 12.9 | 10.6 |     |     |     |
| 24.0 |       |       |       |       | 18.1  | 17.7  | 17.1 | 17.5  | 16.1 | 14.5  | 13.8 | 12.2 | 10.0 |     |     |     |
| 26.0 |       |       |       |       |       | 16.1  | 15.7 | 15.4  | 14.8 | 13.4  | 12.8 | 11.5 | 9.3  |     |     |     |
| 28.0 |       |       |       |       |       | 14.4  | 14.5 | 13.7  | 13.6 | 12.5  | 11.9 | 10.8 | 8.7  |     |     |     |
| 30.0 |       |       |       |       |       |       | 13.0 | 12.2  | 12.2 | 11.6  | 11.1 | 10.2 | 8.1  |     |     |     |
| 32.0 |       |       |       |       |       |       | 11.7 | 11.1  | 10.9 | 10.5  | 10.4 | 9.5  | 7.6  |     |     |     |
| 34.0 |       |       |       |       |       |       |      | 10.5  | 9.8  | 9.8   | 9.4  | 8.9  | 7.1  |     |     |     |
| 36.0 |       |       |       |       |       |       |      | 9.6   | 8.8  | 8.9   | 8.7  | 8.4  | 6.6  |     |     |     |
| 38.0 |       |       |       |       |       |       |      | 7.6   | 8.0  | 8.0   | 8.1  | 7.8  | 6.1  |     |     |     |
| 40.0 |       |       |       |       |       |       |      |       | 7.7  | 7.2   | 7.4  | 7.0  | 5.7  |     |     |     |
| 42.0 |       |       |       |       |       |       |      |       |      | 7.4   | 6.5  | 6.3  | 5.4  |     |     |     |
| 44.0 |       |       |       |       |       |       |      |       |      |       | 6.0  | 6.1  | 5.1  |     |     |     |
| 46.0 |       |       |       |       |       |       |      |       |      |       | 5.8  | 5.5  | 4.8  |     |     |     |
| 48.0 |       |       |       |       |       |       |      |       |      |       |      | 5.1  | 4.7  | 4.5 |     |     |
| 50.0 |       |       |       |       |       |       |      |       |      |       |      | 4.7  | 4.3  | 4.2 |     |     |
| 52.0 |       |       |       |       |       |       |      |       |      |       |      |      | 4.0  | 4.0 |     |     |
| 54.0 |       |       |       |       |       |       |      |       |      |       |      |      |      | 3.6 | 3.6 |     |
| 56.0 |       |       |       |       |       |       |      |       |      |       |      |      |      |     | 2.0 | 3.3 |
| 58.0 |       |       |       |       |       |       |      |       |      |       |      |      |      |     |     | 3.0 |
| 60.0 |       |       |       |       |       |       |      |       |      |       |      |      |      |     |     | 1.5 |

\* Over rear.

Liebherr LTM 1160-5.2


TONNE

180

# Liebherr LTM 1160-5.2

## Lifting capacities

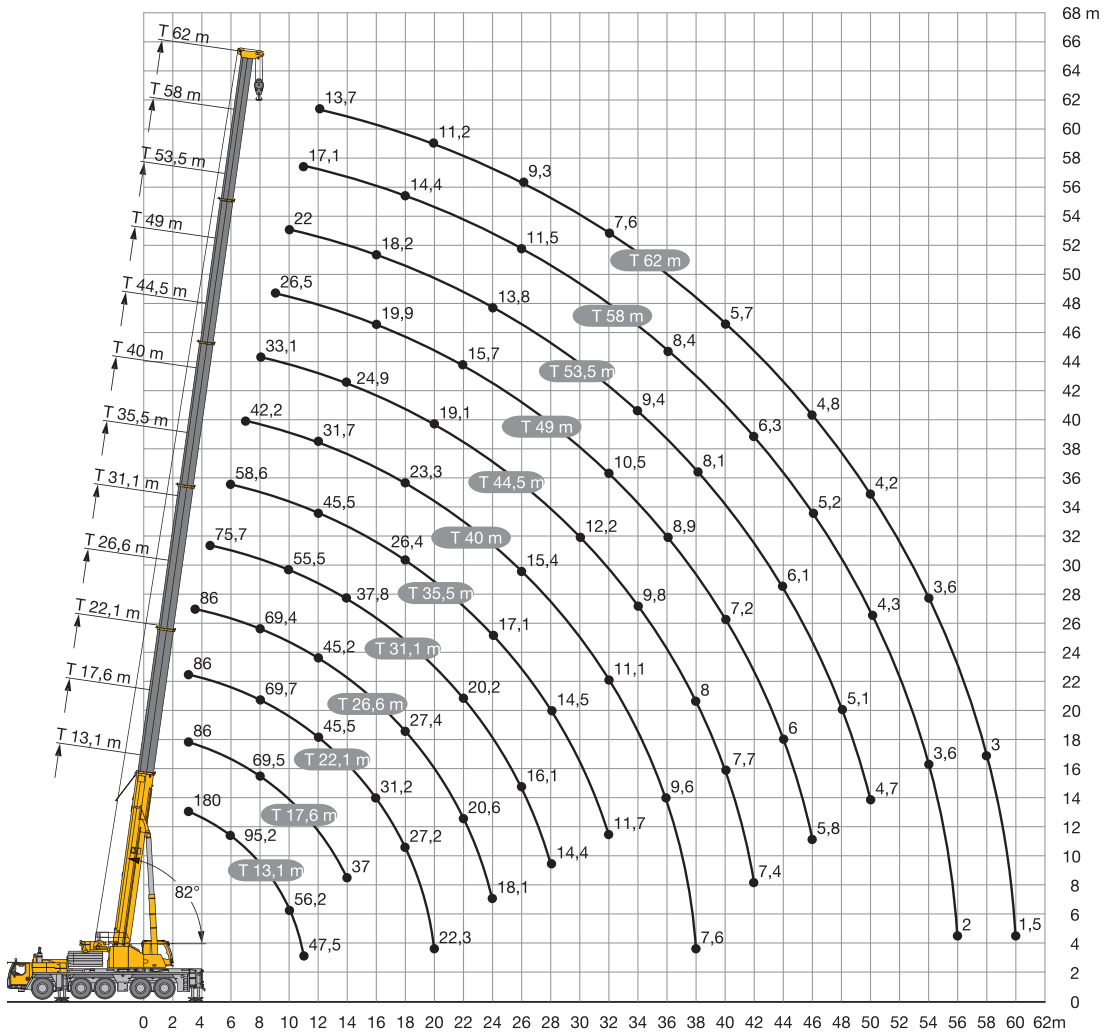


|  m | 13.1m | 17.6m | 22.1m | 26.6m | 31.1m | 35.5m | 40m  | 44.5m | 49m  | 53.5m | 58m  | 62m  |
|---|-------|-------|-------|-------|-------|-------|------|-------|------|-------|------|------|
| 3.0   | 86.0  | 86.0  | 86.0  |       |       |       |      |       |      |       |      |      |
| 3.5   | 86.0  | 86.0  | 86.0  | 86.0  |       |       |      |       |      |       |      |      |
| 4.0   | 86.0  | 86.0  | 86.0  | 86.0  |       |       |      |       |      |       |      |      |
| 4.5   | 86.0  | 86.0  | 86.0  | 86.0  | 75.7  |       |      |       |      |       |      |      |
| 5.0   | 86.0  | 86.0  | 86.0  | 86.0  | 74.8  |       |      |       |      |       |      |      |
| 6.0   | 80.8  | 81.2  | 81.1  | 79.8  | 73.0  | 58.6  |      |       |      |       |      |      |
| 7.0   | 67.4  | 68.6  | 68.8  | 67.2  | 62.0  | 56.6  | 42.2 |       |      |       |      |      |
| 8.0   | 56.1  | 57.2  | 57.6  | 56.2  | 54.0  | 50.2  | 39.7 | 33.1  |      |       |      |      |
| 9.0   | 47.2  | 48.4  | 48.9  | 49.3  | 46.2  | 43.0  | 37.3 | 31.7  | 26.5 |       |      |      |
| 10.0  | 39.9  | 41.4  | 42.5  | 42.5  | 40.2  | 37.5  | 34.8 | 30.2  | 25.6 | 22.0  |      |      |
| 11.0  | 34.4  | 36.0  | 36.8  | 36.9  | 35.4  | 33.0  | 31.6 | 28.8  | 24.7 | 21.3  | 17.1 |      |
| 12.0  |       | 31.5  | 32.3  | 32.4  | 31.3  | 29.9  | 28.6 | 26.7  | 23.7 | 20.6  | 16.7 | 13.7 |
| 13.0  |       | 27.9  | 28.6  | 28.7  | 27.9  | 27.5  | 25.6 | 24.8  | 22.6 | 20.0  | 16.4 | 13.4 |
| 14.0  |       | 24.6  | 25.4  | 25.4  | 25.7  | 25.1  | 23.5 | 22.3  | 20.9 | 19.3  | 16.0 | 13.1 |
| 16.0  |       |       | 20.2  | 20.6  | 21.0  | 20.6  | 20.0 | 18.8  | 18.0 | 16.8  | 15.2 | 12.4 |
| 18.0  |       |       | 16.6  | 17.3  | 17.2  | 17.0  | 16.9 | 16.0  | 15.2 | 15.0  | 14.0 | 11.8 |
| 20.0  |       |       | 13.9  | 14.5  | 14.5  | 14.3  | 14.4 | 14.4  | 13.6 | 12.8  | 12.0 | 11.2 |
| 22.0  |       |       |       | 12.4  | 12.3  | 12.6  | 12.4 | 12.3  | 11.7 | 11.0  | 10.2 | 9.9  |
| 24.0  |       |       |       | 10.7  | 10.6  | 10.9  | 10.6 | 10.5  | 10.1 | 9.5   | 8.8  | 8.5  |
| 26.0  |       |       |       |       | 9.4   | 9.5   | 9.2  | 9.1   | 8.8  | 8.2   | 7.5  | 7.3  |
| 28.0  |       |       |       |       | 8.3   | 8.3   | 8.1  | 8.0   | 7.6  | 7.1   | 6.4  | 6.3  |
| 30.0  |       |       |       |       |       | 7.3   | 7.1  | 6.9   | 6.5  | 6.2   | 5.5  | 5.4  |
| 32.0  |       |       |       |       |       | 6.5   | 6.2  | 6.0   | 5.6  | 5.2   | 4.7  | 4.6  |
| 34.0  |       |       |       |       |       |       | 5.4  | 5.3   | 4.8  | 4.5   | 4.0  | 3.9  |
| 36.0  |       |       |       |       |       |       | 4.8  | 4.6   | 4.2  | 3.8   | 3.4  | 3.3  |
| 38.0  |       |       |       |       |       |       | 4.2  | 4.0   | 3.6  | 3.2   | 2.8  | 2.8  |
| 40.0  |       |       |       |       |       |       |      | 3.5   | 3.1  | 2.7   | 2.2  | 2.3  |
| 42.0  |       |       |       |       |       |       |      | 3.0   | 2.6  | 2.2   | 1.8  | 1.8  |
| 44.0  |       |       |       |       |       |       |      |       | 2.2  | 1.8   |      |      |
| 46.0  |       |       |       |       |       |       |      |       | 1.8  |       |      |      |

Liebherr LTM 1160-5.2

# Liebherr LTM 1160-5.2

## Lifting heights



\* Over rear, with additional equipment

Liebherr LTM 1160-5.2